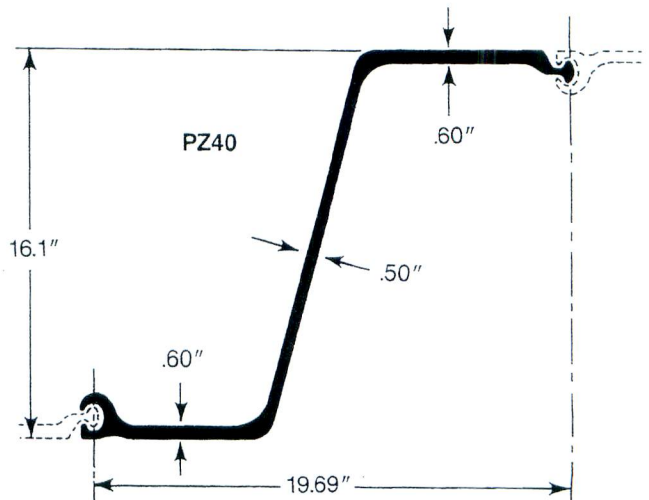
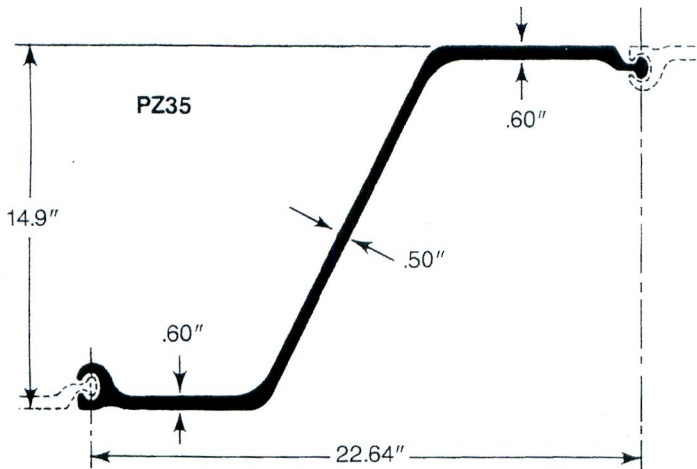
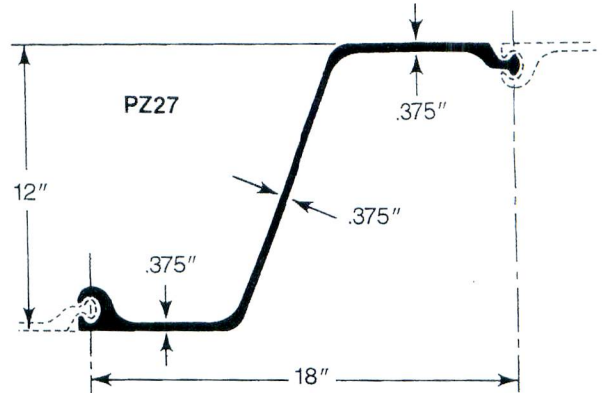
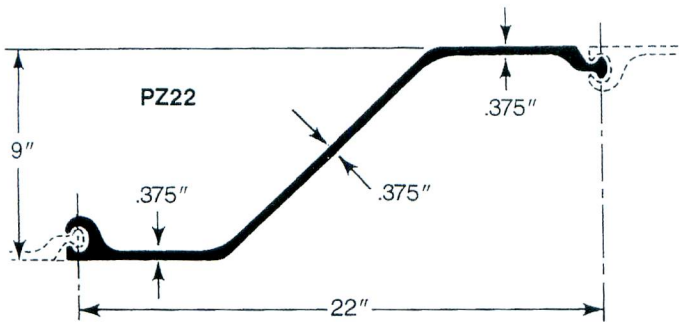


Dimensions and Properties of Sections

Sections designed for bending strength



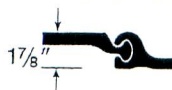
Interlocking

Because ball and socket dimensions are the same for all Bethlehem Z-piling sections, all Z-piling sections can interlock with one another. Also, because of the shape of the interlock, they can be joined in either of two arrangements.

NORMAL



REVERSE



Sections Which Interlock With Each Other

PZ22	PS27.5
PZ27	PS31
PZ35	
PZ40	
PSA23*	